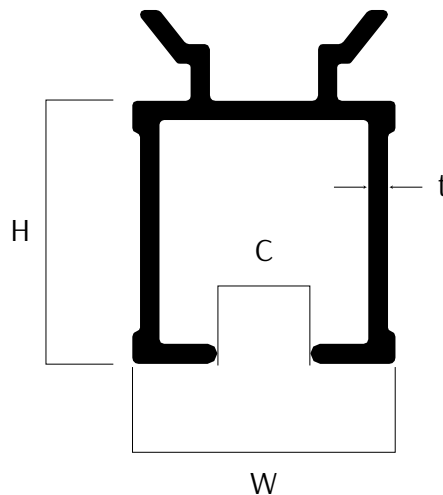




DPFH Power Track - Window Curtain Track Specifications

The Power Track is a renowned product in the Indian market, known for its functional and highly durable properties. Made from premium quality aluminum and featuring a sturdy "C" section design, this Window Curtain Channel is a standard choice in our industry. With its powder-coated finish, the Power Track offers long-lasting performance, making it a reliable option for any curtain installation project.



(All Dimensions are in millimeter.)

Length	W	H	C	T
4.58m/15ft.	17.40	23.40	6.20	1.25

Summary of Profile

Dimensions: 17.40mm(W) x 23.40mm(H)

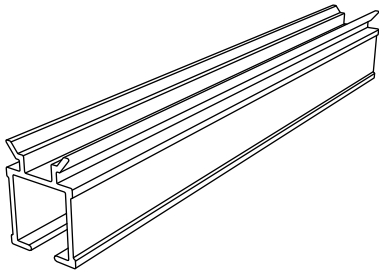
Material: Aluminium Alloy - 6063-T6 (HE9WP)

Length: 4.58m/15ft.

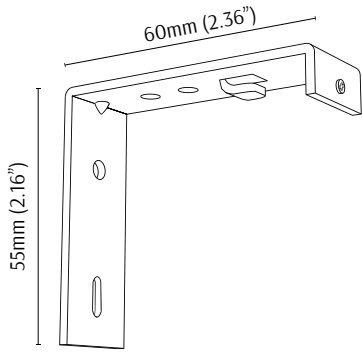
Weight: 0.254kg/m

Tensile Strength: 215MPA

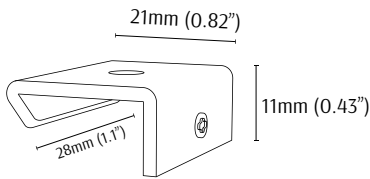
Color: Signal White, Glossy Ivory, Brown, Light Gray, Black



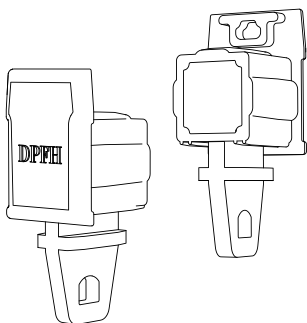
Power Track Channel (P001)
Aluminium Extruded, Powder Coated,
Functional Channel to Carry Medium-Weight Curtains.



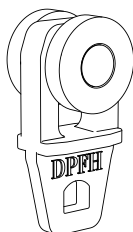
Power Track Wall Mount (P002)
MS, Powder Coated, L-Type Wall Mount for Single Layer Curtain
Fittings.



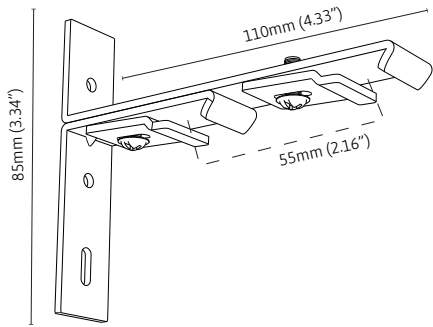
Power Track Ceiling Mount (P003)
MS, Powder Coated, Compact Bracket for Ceiling installations.



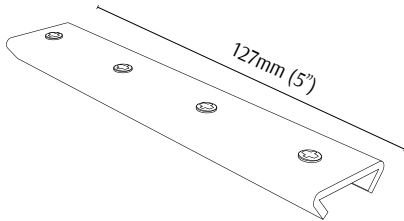
Power Track "Screw-less" End Caps (P004)
In POM Material, DPFH Screw-Less Push System End-Cap available for
Quick Installation.



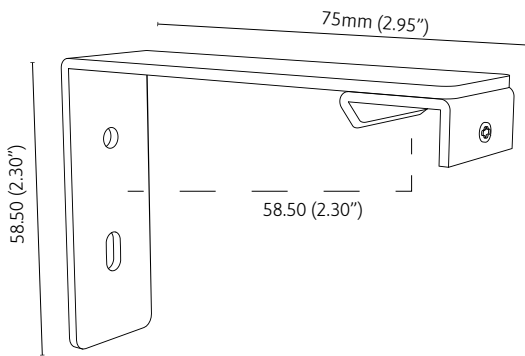
Power Track Standard Runner (P005)
In POM Material, Highly-Durable and Smooth, Curtain Track Runner
for Pleat type Curtains.



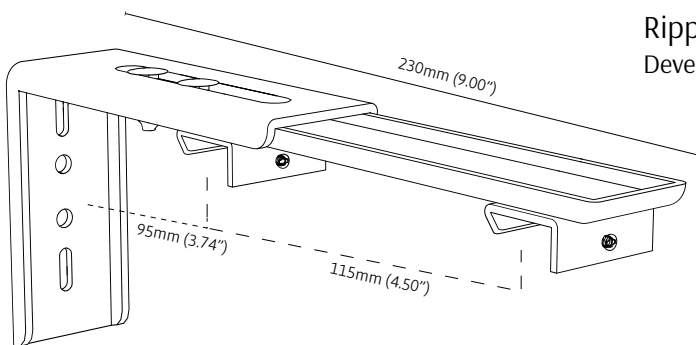
Power Track 2-Track Holder for Pleat Curtains (P006)
 MS, Powder Coated, 2-Track Wall Mount to Carry Two Medium-Weight or Lightweight Curtains Simultaneously.



Power Track Jointer (P008)
 Join Two Separate Curtain Tracks Together to Create One Long Piece.



New Power Track Wall Holder (P009)
 Wall Mount for Wave Curtain Solutions.



Ripple Double Track Wall Holder for Power Track (RDH-PT01)
 Developed to carry Wave Curtains.